

Specification™ SINK STRAINERS

/// 245-1645 SERIES

SPECIFICATION

Tomahawk Specification™ sink strainers are designed to prevent debris from entering a drainage system with a removable strainer basket designed to collect debris. Tomahawk sink strainers are intended to convey domestic waste from fixtures to the drain, waste and vent (DWV) system. Complies to ASME A112.18.2-2015/CSA B125.2-15.

MATERIALS

Stainless steel

Finish: polished stainless steel and chrome

FEATURES

- true heavyweight "cup style" 304 stainless steel strainer
- brass knob and spring post basket
- deep cut threads
- deep cup style

DIMENSIONS

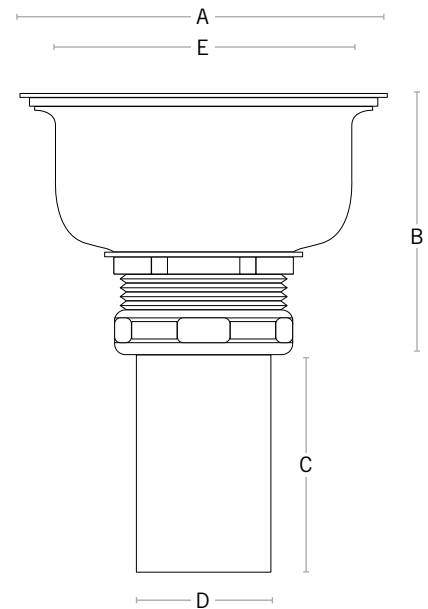
*Tomahawk specifications in US customary units are approximate and are provided for reference only.

- A: flange diameter 4-1/2"
B: body height 3-11/32"
C: tailpiece 4"
D: tailpiece diameter 1-1/2"
E: body diameter 3-7/16"

ITEM # SUBMITTED	_____
JOB NAME	_____
LOCATION	_____
ENGINEER	_____
CONTRACTOR	_____
PO#	_____ TAG _____



245-16452C04



Create Item Number

245-1645A C 04

e.g. 245-16452C04: Specification™ sink strainer, stainless steel w/ brass nuts, 1/bx

ADDITIONAL COMPONENTS A

0 = n/a

2 = w/ two brass nuts

3 = two brass nuts and tailpiece

