

MULTI-TURN WATER SUPPLY STOPS

/// 134-G SERIES ANGLE STOPS

SPECIFICATION

Tomahawk 134-G Series angle stop Multi-Turn Water Supply Stops shall be used as a means of controlling pressure water connections to plumbing fixtures for the purpose of being able to turn off flow for repairs or emergency situations.

INSTALLATION

Attach to pressure piping as prescribed by inlet connection on stop valve. Connect supply hose of desired configuration to outlet of supply.

MATERIALS

Valve body: no lead brass

Sleeve: brass

Nut: brass

Finish: chrome or rough brass

FEATURES

- certified to NSF/ANSI 61 section 9-G
- IAPMO listed
- no lead brass

PACKAGING

Individually boxed or individually bagged

PRESSURE & TEMPERATURE

Maximum pressure: 125psi, 8.6 bar

Maximum temperature: 160°F, 71.1°C

See page 2.

ITEM # SUBMITTED	_____
JOB NAME	_____
LOCATION	_____
ENGINEER	_____
CONTRACTOR	_____
PO#	_____ TAG _____



134-G2S1CLK04



134-G2C1CR104

MULTI-TURN WATER SUPPLY STOPS

/// 134-G SERIES ANGLE STOPS

DIMENSIONS

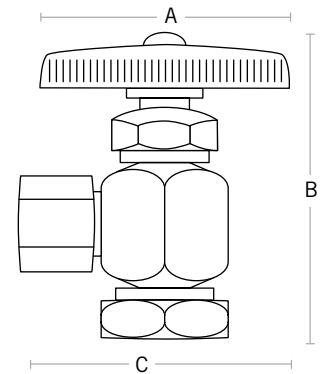
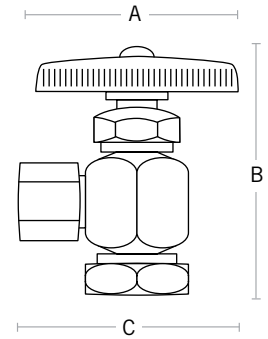
*Tomahawk specifications in US customary units are approximate and are provided for reference only.

	-G1C1CLK	-G1F1C	-G2C0C	-G2C1C	-G2C1CE5
A: handle	2"	2"	2"	2"	2"
B: height	2.125"	2.125"	2.5"	2.5"	2.5"
C: length	1.5"	1.5"	2.625"	2.625"	2.625"

	-G2C1CLK	-G2C2C	-G2C2M	-G2F1C	-G2F1CLK
A: handle	2"	2"	2"	2"	2"
B: height	2.5"	2.5"	2.5"	2.5"	2.5"
C: length	2.625"	2.625"	2.625"	1.625"	1.625"

	-G2F2C	-G2F2CLK	-G2F2M	-G2SOCR1	-G2S1C
A: handle	2"	2"	2"	2"	2"
B: height	2.5"	2.5"	2.5"	2.375"	2.375"
C: length	1.625"	1.625"	1.625"	1.5"	1.5"

	-G2S1CE5	-G2S1CE5LK	-G2S1CLK	-G2V1C	-G2X1C
A: handle	2"	2"	2"	2"	2"
B: height	2.375"	2.375"	2.375"	3.125"	3.125"
C: length	1.5"	1.5"	1.5"	1.5"	1.5"



*The wetted surface of this product contacted by consumable water contains less than 0.25% of lead by weight.

Certified to NSF/ANSI 61   
Section 9-G

Create Item Number

134-G A B C D

e.g. 134-G2C1CLK04: multi-turn, 5/8" compression X 3/8" O.D. compression, loose key, chrome, 1/bx

INLET CONNECTION A

1F = 3/8" FIP
2C = 5/8" compression
2F = 1/2" FIP
2S = 1/2" female sweat
2V = 1/2" CPVC
2X = 1/2" PEX F1807

OUTLET CONNECTION B

0C = 1/4" compression
1C = 3/8" compression
2C = 1/2" compression
2M = 1/2" MIP (7/16" O.D.)

OPTION C

LK = loose key
E5 = 5" extension w/ escutcheon
R1 = rough brass

PACKAGE D

01 = individually bagged
04 = individually boxed



*Not all combinations available. Contact your local rep to confirm availability.