

# MAIN ROOF DRAIN

## » 868 SERIES

### SPECIFICATION

Sioux Chief 868 Series cast iron main roof drains shall be used where necessary in drainage systems. Roof Drain shall have a low-profile enamel coated cast iron dome strainer, and cast iron gravel guard. Strainer shall turn-to-lock into gravel guard. Cast iron drain body shall have no-hub connection. Designed in accordance with ASME A112.6.4-2003

### MATERIALS

**Dome strainer:** enamel-coated cast iron

**Gravel guard:** enamel-coated cast iron

**Drain body:** enamel-coated cast iron

### STRAINER FREE AREA

75.75 in<sup>2</sup>

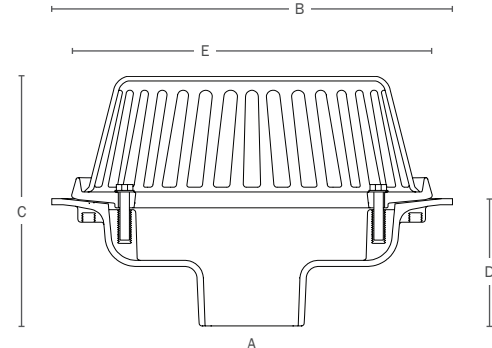
### DIMENSIONS

A: Connection 3", 4", 6" or 8" No-hub  
 B: Flange diameter 15"  
 C: Overall height 9½"  
 D: Body height 5"  
 E: Gravel guard diameter 13⅝"

ITEM # SUBMITTED	_____
JOB NAME	_____
LOCATION	_____
ENGINEER	_____
CONTRACTOR	_____
PO#	_____ TAG _____



868-1504



### Create Item Number

#### 868-A

e.g. **868-1504HSW**: Cast iron main roof drain with 4" no-hub connection, undermount hardware kit, sump receiver, and 2" external water dam for overflow

#### CONNECTION A

**1503** = 3" No-hub  
**1504** = 4" No-hub  
**1506** = 6" No-hub  
**1508** = 8" No-hub

#### OPTIONS B

**H** = Undermount hardware kit  
**U** = Underdeck clamp kit  
**S** = Sump receiver  
**E** = Adjustable extension kit  
**W** = 2" high, external water dam  
**P** = 2" high internal water dam

#### ACCESSORIES

**868-15CD** = Cast iron dome strainer  
**868-15S** = Sump receiver:  
 24" x 24" x 15-gauge galvanized steel  
**868-15SH** = Undermount hardware kit:  
 4 pieces angle bracket, thread rod, nuts, washers  
**868-15U** = Underdeck clamp kit:  
 two-piece cast iron clamping plate with hardware  
**868-15WD** = External water dam:  
 2" high, cast iron external water dam  
**868-15EXT** = Adjustable extension assembly kit