

LARGE CAPACITY MAIN ROOF DRAIN

868 series

SPECIFICATION

Sioux Chief 868 Series cast iron large capacity main roof drains shall be used where necessary in drainage systems. Roof Drain shall have a low-profile enamel coated cast iron dome strainer, and cast iron gravel guard. Strainer shall turn-to-lock into gravel guard. Cast iron drain body shall have no-hub connection.

MATERIALS

dome strainer: enamel-coated cast iron

gravel guard: enamel-coated cast iron

drain body: enamel-coated cast iron

STRAINER FREE AREA

178 square inches

CONNECTION TYPE

cast iron no-hub

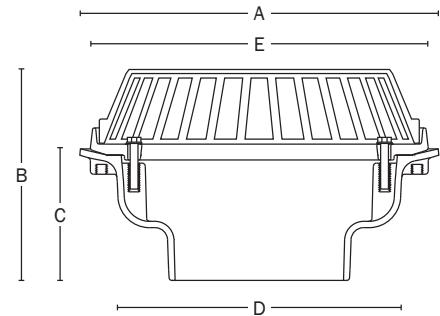
DIMENSIONS

A: flange diameter	20"
B: overall height	11.75"
C: body height	7.375"
D: body diameter	16.125"
E: gravel guard diameter	19"

Item # Submitted _____
Job Name _____
Location _____
Engineer _____
Contractor _____
PO# _____ TAG _____



868-2010



Create Item Number

868-AB

e.g. 868-2012US = 12" cast iron no-hub main roof drain with cast iron dome strainer, underdeck clamp, and sump receiver

A CONNECTION SIZE

- 2010 10" no-hub
- 2012 12" no-hub

B OPTIONS

- U underdeck clamp kit
- S sump receiver
- W external water dam

ACCESSORIES

- 868-20U Underdeck clamp kit:
two-piece cast iron clamping plate with hardware
- 868-20S Sump receiver:
30" x 30" x 10-gauge powder-coated steel
- 868-20WD External water dam:
2" high, cast iron external water dam