

# BRASS TRIP LEVER BATH DRAINS

/// 973-2015 SERIES, 973-3015 SERIES

## SPECIFICATION

Tomahawk Brass Trip Lever Bath Drains are intended to provide accessible and replaceable tube and fittings to convey domestic waste from fixtures to the drain, waste and vent (DWV) system. Tomahawk Brass Trip Lever Bath Drains shall meet or exceed ASME standard A112.18.2.

## MATERIALS

Brass

Finish: chrome & polished brass

## FEATURES

- Lifebrite™ finish
- metal linkage
- 17 and 20 gauge models available

## DIMENSIONS

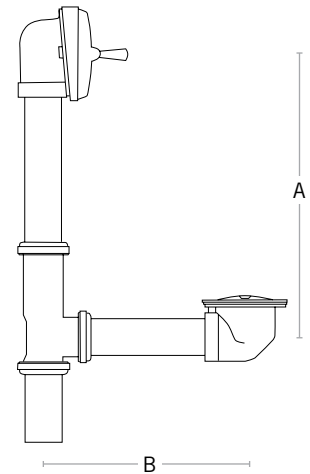
\* Tomahawk specifications in US customary units are approximate and are provided for reference only.

- A: center of overflow to center of waste (vertical) 11-3/4"  
B: center of overflow to center of drain (horizontal) 4-1/2"

ITEM # SUBMITTED	_____
JOB NAME	_____
LOCATION	_____
ENGINEER	_____
CONTRACTOR	_____
PO#	_____ TAG _____



973-2015C04



### Create Item Number

#### 973- A015B04

e.g. 973-2015C04: trip lever w/o 17ga, tubular brass, w/ chrome trim, 1/bx

#### BODY A

2 = tubular brass 17ga

3 = tubular brass 20ga

#### FINISH B

C = chrome

PB = polished brass

