

AIR ADMITTANCE VALVE

250 SERIES

TurboVent™

ITEM # SUBMITTED	_____
JOB NAME	_____
LOCATION	_____
ENGINEER	_____
CONTRACTOR	_____
PO#	_____ TAG _____

SPECIFICATION

Sioux Chief 250 series TurboVent air admittance valves shall be installed in either branch or stack applications as vent terminal for secondary venting within the plumbing system. Valve shall incorporate an actuating device which spins upon activation to keep the elastomeric sealing surface clean and free of debris. During drainage, actuating device shall raise a designed distance under negative line pressure to allow optimal air flow into the DWV system. Valve shall provide a positive seal at 0 PSI and under any positive line pressure to prevent sewer gasses from entering the living space. Valve shall comply with IPC model code and be certified to ASSE 1050 and 1051 standards.

MATERIALS

housing/thread body: ABS
 actuating device: ABS
 sealing member: elastomer
 adapter: PVC or ABS

DFU RATING

stack: 8¹ or 24² (drainage fixture units)
 branch: 20¹ or 160² (drainage fixture units)

COMPLIANCE

Certified by ASSE to 1050 and 1051
 Listed by IAPMO
 Conforms to:
 International Plumbing Code (IPC 2009)
 International Residential Code (IRC 2009)
 Uniform Plumbing Code (UPC 2009) section 301.2

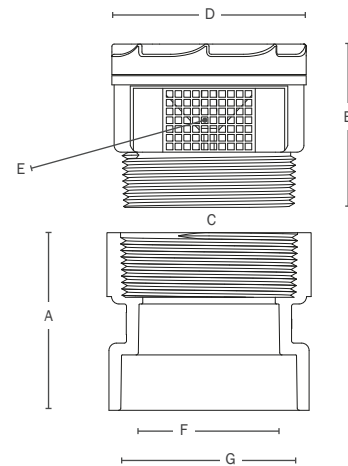
DIMENSIONS

A: valve diameter	2 ^{11/16"}
B: valve height	2 ^{1/8"}
C: thread size	2" NPT
D: open area	1.13 in ²
E: adapter height	2 ^{3/8"}
F: upper connection	1 ^{1/2"} Sch. 40 hub
G: lower connection	2" Sch. 40 hub

1 When connected to 1^{1/2"} pipe 2 When connected to 2" pipe



250-122PB



Create Item Number

250-122A

e.g. 250-122PB: TurboVent air admittance valve with PVC adapter, bulk pack

A ADAPTER/PACKAGING

- PB PVC adapter / bulk pack
- PC PVC adapter / contractor pack
- AB ABS adapter / bulk pack
- AC ABS adapter / contractor pack

ACCESSORIES

- 696-7 OxBow single box with hole for 2" Sch. 40 pipe
- 696-1F OxBow single box frame
- 696-LC OxBow louvered cover plate
- 842-712P PVC combo adapter³
- 842-712A ABS combo adapter³

³ 2" NPT thread x 1^{1/2"} x 2" Sch. 40 hub