

Ezy Touch® REEMED TEE BRASS BATH DRAINS

/// 973-2319 SERIES, 973-2320 SERIES

SPECIFICATION

Tomahawk Ezy Touch® Reemed Tee Brass Bath Drains are intended to provide accessible and replaceable tube and fittings to convey domestic waste from fixtures to the drain, waste and vent (DWV) system. Tomahawk Ezy Touch® Reemed Tee Brass Bath Drains shall meet or exceed ASME standard A112.18.2.

MATERIALS

Brass

Finish: chrome

FEATURES

- 17 gauge with brass nuts
- reemed tee
- Ezy Touch® trim with brass strainer body
- two-hole faceplate

DIMENSIONS

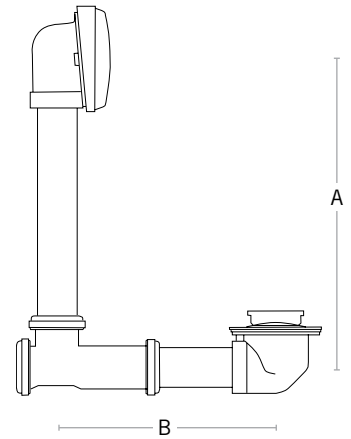
* Tomahawk specifications in US customary units are approximate and are provided for reference only.

	-19C04	-20C04
A: center of overflow to center of waste (vertical)	14" – 14-1/2"	16" – 16-1/2"
B: center of overflow to center of drain (horizontal)	7" – 9"	7" – 9"

ITEM # SUBMITTED _____
JOB NAME _____
LOCATION _____
ENGINEER _____
CONTRACTOR _____
PO# _____ TAG _____



973-2319C04



Create Item Number

973-2319A04

e.g. 973-2319C04: Ezy Touch® brass body, tubular brass, 17ga, reemed tee standard, chrome, 1/bx

OPTION A

19 = reemed tee (standard 11" overflow tube)

20 = reemed tee (14" overflow tube)

