

KwikFit™ SINK STRAINERS

/// 245-1644 SERIES

SPECIFICATION

Tomahawk KwikFit™ sink strainers are designed to prevent debris from entering a drainage system with a removable strainer basket designed to collect debris. Tomahawk sink strainers are intended to convey domestic waste from fixtures to the drain, waste and vent (DWV) system. Complies to ASME A112.18.2-2015/CSA B125.2-15.

MATERIALS

Stainless steel

Finish: polished stainless steel and chrome

FEATURES

- quality designed and engineered "cup-style" strainer
- deep drawn 304 stainless steel with rolled threads to specification tolerances
- fits 3-1/2" – 4" drain openings
- spring post basket

DIMENSIONS

*Tomahawk specifications in US customary units are approximate and are provided for reference only.

A: flange diameter 4-3/8"

B: body height 3-7/8"

C: tailpiece 6-1/2"

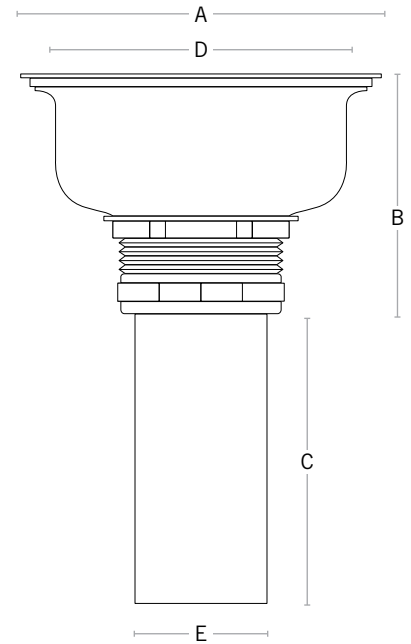
D: body diameter 3-7/16"

E: tailpiece diameter 1-1/2"

ITEM # SUBMITTED	_____
JOB NAME	_____
LOCATION	_____
ENGINEER	_____
CONTRACTOR	_____
PO#	_____ TAG _____



245-16440C04



Create Item Number

245-1644A C04

e.g. 245-16441C04: KwikFit™ sink strainer, stainless steel, w/ tailpiece, 1/bx

ADDITIONAL COMPONENTS A

0 = n/a

1 = w/ tailpiece

